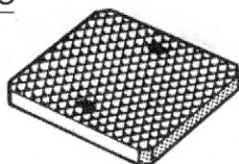
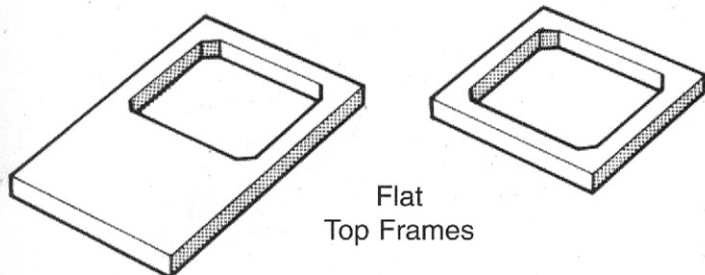
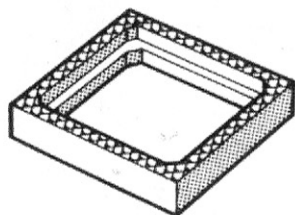


The complete drainage chamber system

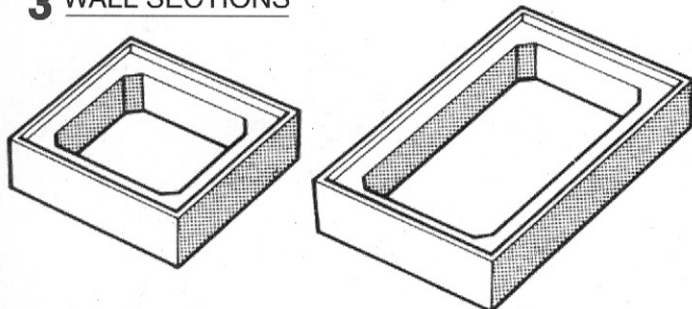
1 COVER SLABS



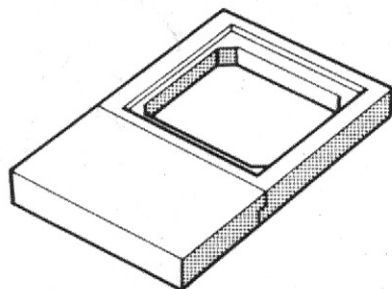
2 COVER FRAMES



3 WALL SECTIONS



4 REDUCER SLAB



UNIT TYPE	CHAMBER NOMINAL mm SIZE	CODE	DEPTH	APPROX. WEIGHT KG	NOTES
1 Cover Slabs (12.5 kN load Capacity) with preformed lifting inserts	600 x 600	6/G/S	50	51	O/A SLAB SIZE 655 x 655 660 x 490
	600 x 450	18/G	50	39	
2 Cover Frames For concrete	600 x 600	6/E/S	100	46	CLEAR OPENING 600 x 600 600 x 450 600 x 450 600 x 600
	600 x 450	20/RL	100	52	
	900 x 600	24/RL	100	132	
	900 x 600	24/RL/600	100	111	
2 Cover Frames to suit metal cover and frame Light Duty Heavy Duty	900 x 600	24/RL	100	122	CLEAR OPENING 600 x 450 600 x 600 600 x 450 600 x 600 offset 600 x 600 offset 600 x 450 offset
	600 x 600	6/F	100	57	
	600 x 450	20/RL	100	40	
	1200 x 750	12/F/HD/600	150	320	
	900 x 600	9/F/HD/600	150	131	
	900 x 600	9/F/HL	150	163	
3 Wall Sections	1200 x 750	12/H	150	114	WALL THICKNESS 75 75 75 75 75 75 75 65 65 45* 45* 45* 75 75 75
	1200 x 750	12/K	200	155	
	1200 x 750	12/L	300	228	
	900 x 600	24/D	75	46	
	900 x 600	24/C	100	62	
	900 x 600	24/A	150	62	
	600 x 600	6/C	100	41	
	600 x 600	6/A	150	62	
	600 x 450	TWA/150	150	37	
	600 x 450	TWA/230	230	59	
	600 x 450	TWA/300	300	78	
	600 x 450	IS/17/75	75	35	
	600 x 450	IS/17/100	100	46	
	600 x 450	IS/17/150	150	69	
4 Reducer Slabs Light Duty	1200 x 750	12/RS/6	100	221	REDUCING TO 600 x 600 600 x 450 600 x 600
	900 x 600	24/RL	100	129	
	900 x 600	24/RL/600	100	111	

• un-reinforced

Available in two parts or as a single unit.



Ruthin Precast Concrete Limited
Quarryfields,
Ruthin,
Denbighshire, LL15 2UG
Tel: 01824 702493
Fax: 01824 704527

The Company's policy is one of continuous development and product improvement. Information contained in this leaflet is subject to alteration without notice.