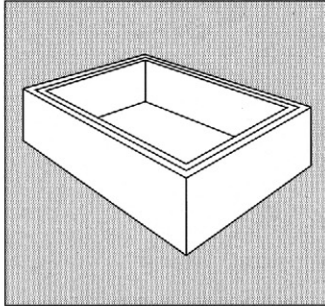


Precast Catchpits

ASSEMBLY DETAILS

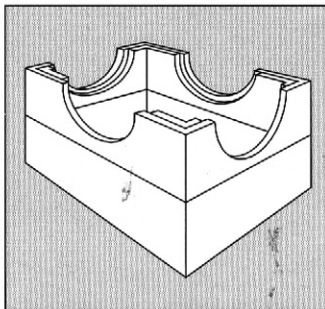
UNIT 1 - Base unit

(Open top closed bottom) is placed at the bottom of the excavated hole to the required level.



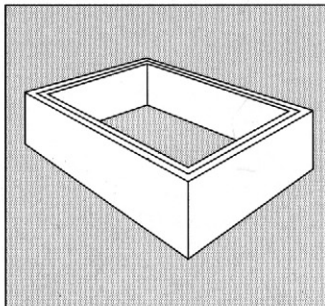
UNIT 2 - Half Centre unit

(Open top and bottom and holed half round 4 faces) is placed on **UNIT 1** ready to receive the required connections. **UNITS 5, 5A, 6, 7, 9**. This unit is also made with 1, 2, or 3 openings (reference **2A, 2B, and 2C** respectively).



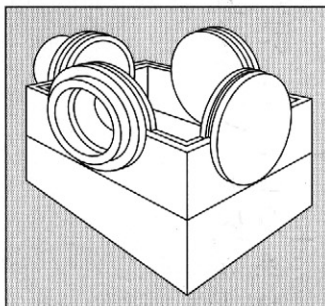
UNIT 3 - Filler unit

102mm (4") deep filler unit open top and bottom. Filler units 51mm (2") and 76mm (3") deep are also available - reference **3A** and **3B** respectively.



UNIT 4 - Filler unit

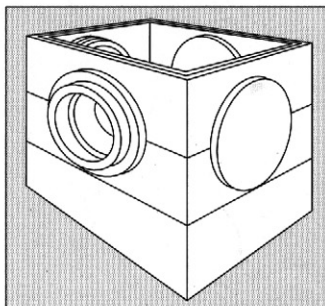
203mm (8") deep filler unit open top and bottom.



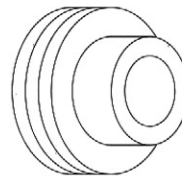
Filler units are used to provide extra depth of sump by inserting between **UNIT 1** and **UNIT 2** and to provide extra depth to invert by inserting between **UNIT 2** and cast iron frame.

UNIT 2

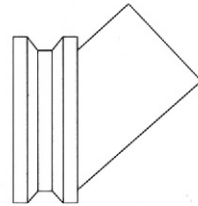
(Reversed in fixing) is then superimposed on the assembled unit connections and the catchpit is then ready to receive cast iron cover and frame.



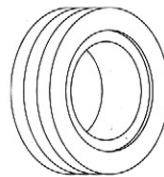
UNIT CONNECTIONS



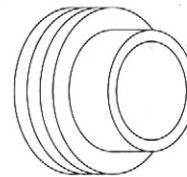
UNIT 5
152mm (6")
Spigot connection



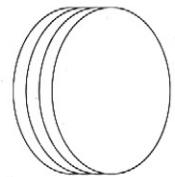
UNIT 5A
45°
Angled Outlet



UNIT 6
152mm (6")
Socket connection

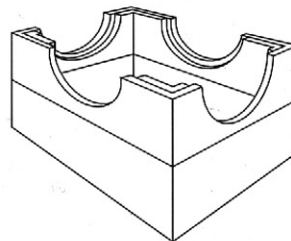


UNIT 7
203mm (8")
Spigot Connection

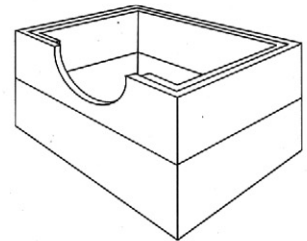


UNIT 9
Blank Connection

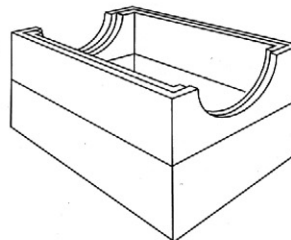
UNIT 2 Opening variations



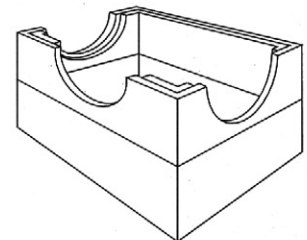
UNIT 2 - 4 openings



UNIT 2A - 1 opening



UNIT 2B - 2 openings



UNIT 2C - 3 openings

ipc
Ruthin Precast Concrete Ltd

Ruthin Precast Concrete Limited

Quarryfields,
Ruthin,
Denbighshire, LL15 2UG.

Tel: 01824 702493

Fax: 01824 704527

E-mail: enquiries@rpcltd.co.uk

Website: www.rpcltd.co.uk

The Company's policy is one of continuous development and product improvement. Information contained in this leaflet is subject to alteration without notice.